

▶ **Manual Measuring Stage EK 75 x 50 MR** with MR Measuring System

Measuring range:	76 x 52 mm (3" x 2")
Accuracy:	absolut accuracy in μm : measuring length / 40 +2,5
Resolution:	< 0,05 μm
Drive:	X-axis: bowden cable Y-axis: rack and pinion
Material:	aluminium
Surface:	anodic coating, black laquered worktop CERASIST® - coated
Weight:	1,700 g

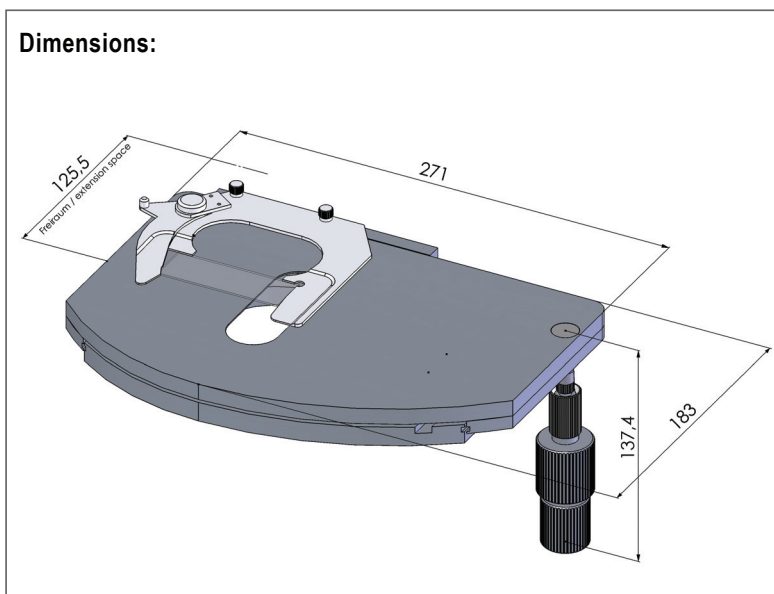
Order Information

EK 75 x 50 MR,
Order No.: 00-22-321-0000

Product Features

- ▶ with integrated MR measuring system
- ▶ CERASIST® surface - free of wear
- ▶ Coaxial drive adjustable in height and friction for ergonomical handling.
- ▶ for reflected and transmitted light applications

Dimensions:



Accessory

Object holder (included in delivery)
Order No.: 00-22-321-2000

Digital readout unit SCD^{plus}
(included in delivery)
Order No.: 00-99-900-4830

For further accessories please refer to:
www.marzhauser.com