

▶ **Manual Measuring Stage MTM 105 x 105 MR** with MR Measuring System

Measuring range:	reflected light: 105 x 105 mm transmitted light: 105 x 85 mm
Accuracy:	absolut accuracy in μm : measuring length / 40 + 2,5
Resolution:	< 0,05 μm
Drive:	rack / pinion
Material:	aluminium
Surface:	anodic coating, black laquered
Weight:	4.000 g
Load capacity:	5.000 g

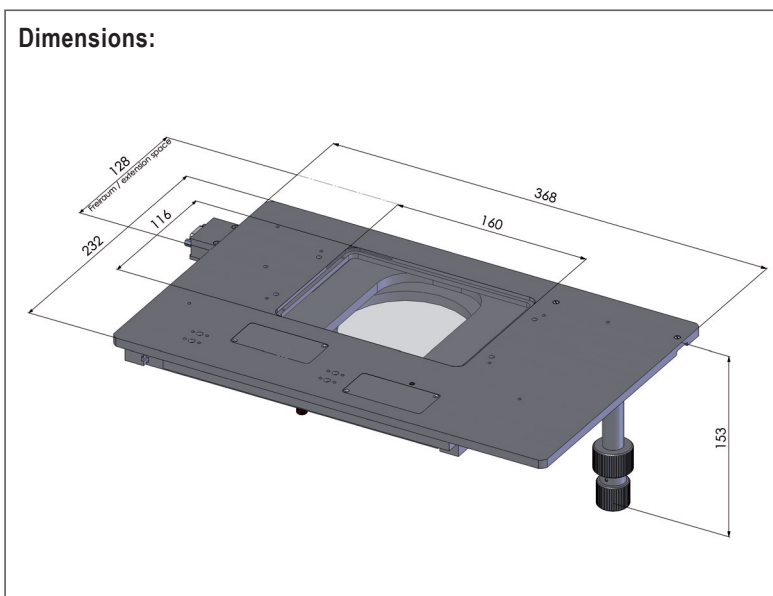
Order Information

MTM 105 x 105 MR,
Order No.: 00-31-416-0000

Product Features

- ▶ with integrated MR measuring system
- ▶ for reflected and transmitted light applications

Dimensions:



Accessories

Glass plate (included in delivery)
Order No.: 00-24-427-0810

Digital readout unit SCD^{plus}
(included in delivery)
Order No.: 00-99-900-4830

For further accessories please refer to:
www.marzhauser.com