

▶ **Manual Microscope Stage EK 11** for Upright Microscopes

Travel range:	max. 76 x 52 mm
Drive:	coaxial drive / rack and pinion
Material:	aluminium
Surface:	anodic coating, black laquered
Worktop:	CERASIST®-coated
Weight:	1,600 g

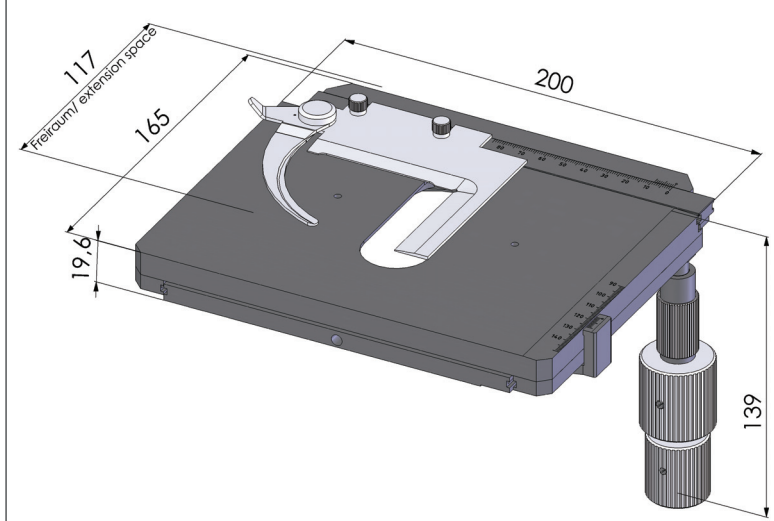
Order Information

Order No.: 00-22-242-0000

Product Features

- ▶ CERASIST® surface - free of wear
- ▶ Coaxial drive adjustable in height and friction for ergonomical handling
- ▶ precise cross roller bearings

Dimensions:



Accessory

For accessories please refer to:
www.marzhauser.com