

Motorized Microscope Stage EK 14 mot for Upright Microscopes

Travel range:	max. 76 x 52 mm (3" x 2")
Repeatability:	< 5 µm (unidirectional, measured according to VDI / DGQ 3441)
Accuracy:	+/- 20 µm (measured according to VDI / DGQ 3441)
Orthogonality:	< 10 arc sec
Motor:	2-phase stepper motor
Max. travel speed:	120 mm/s
Drive:	rack / pinion
Limit switches:	integrated hall sensors
Material:	aluminium
Surface:	anodic coating, black laquered
Worktop:	CERASIST® - coated
Weight:	2,500 g

Order Information

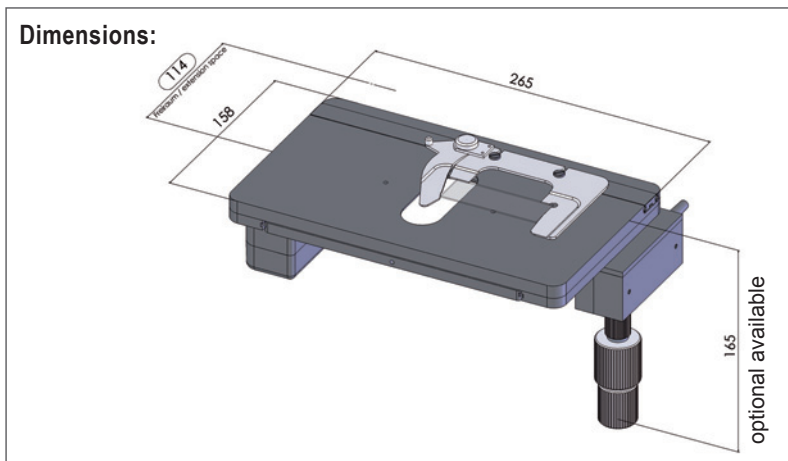
Order No.: 00-27-322-0000

The stage can be operated either with joystick or electronical coaxial drive.

Product Features

- ▶ CERASIST® - surface - free of wear
- ▶ travel range limitation by integrated hall sensors
- ▶ operation optional via coaxial drive
- ▶ optional coaxial drive adjustable in height and friction for ergonomical handling
- ▶ for transmitted and reflected light applications

Dimensions:



Accessory

Object holder for 1 slide 3" x 1"
 (included in delivery)
 Order No.: 00-27-322-2000

For accessories please refer to:
www.marzhauser.com

