

▶ **Motorized Microscope Stage EK 75 x 50 mot** for Upright Microscopes

Travel range:	max. 76 x 52 mm (3" x 2")
Repeatability:	< 1 μm (bi-directional, measured according to VDI / DGQ 3441)
Accuracy:	+/- 5 μm (measured according to VDI / DGQ 3441)
Resolution:	0,05 μm (smallest step size)
Orthogonality:	< 10 arc sec
Motor:	2-phase stepper motor
Max. travel speed:	120 mm/s, with integrated measuring system
Drive:	X: bowden cable Y: rack / pinion
Limit switches:	integrated hall sensors
Material:	aluminium
Surface:	anodic coating, black laquered
Worktop:	CERASIST® - coated
Weight:	2,700 g

Order Information

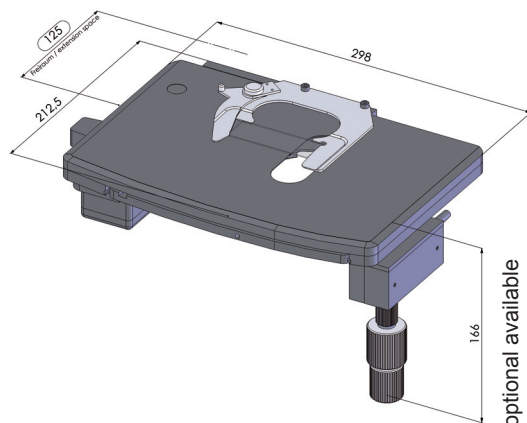
Order No.: 00-27-324-0000

The stage can be operated either with joystick or electronical coaxial drive.

Product Features

- ▶ CERASIST® - surface - free of wear
- ▶ travel range limitation by integrated hall sensors
- ▶ integrated measuring system
- ▶ operation optional via coaxial drive
- ▶ optional coaxial drive adjustable in height and friction for ergonomical handling
- ▶ including object holder for 1 slide 3 x 1"
- ▶ for transmitted and reflected light applications

Dimensions:



Accessory

Object holder for 1 slide 3" x 1"
(included in delivery)
Order No.: 00-22-321-2000

For accessories please refer to:
www.marzhauser.com