

▶ **Motorized Microscope Stage EK 75 x 50 Pilot** with integrated controller

<b>Travel range:</b>	max. 76 x 52 mm (3" x 2")
<b>Repeatability:</b>	< 1 µm (bi-directional, measured according to VDI / DGQ 3441)
<b>Accuracy:</b>	+/- 3 µm (measured according to VDI / DGQ 3441)
<b>Resolution:</b>	0,05 µm (smallest step size)
<b>Orthogonality:</b>	< 10 arc sec
<b>Motor:</b>	2-phase stepper motor
<b>Max. travel speed:</b>	120 mm/s, with integrated measuring system
<b>Drive:</b>	X: bowden cable Y: rack / pinion
<b>Limit switches:</b>	integrated hall sensors
<b>Material:</b>	aluminium
<b>Surface:</b>	anodic coating, black laquered
<b>Worktop:</b>	CERASIST® - coated
<b>Weight:</b>	2,900 g

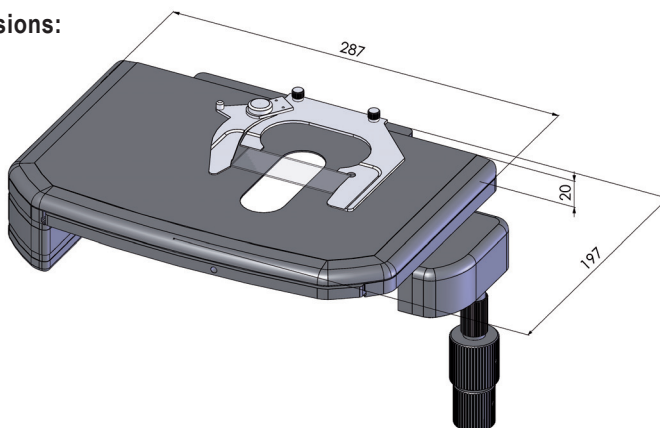
**Order Information**

Order No.: 00-27-351-0000

**Product Features**

- ▶ compact, integrated TANGO controller
- ▶ integrated measuring system
- ▶ Operation via integrated coaxial drive with 2 speed ranges for coarse positioning or fine adjustment.
- ▶ **Single Cable Solution:** Communication between stage and controller plus electricity supply, all in one single, flexible cable.
- ▶ **Multi Adaption:** Stage adapts quickly and easily to almost all current microscopes.
- ▶ coaxial drive adjustable in height and friction for ergonomical handling
- ▶ CERASIST® - surface - free of wear
- ▶ **One-Handed Operation:** Slide can be inserted into object holder using one hand only.

**Dimensions:**



**Accessory**

Object holder for 1 slide 3" x 1"  
(included in delivery)  
Order No.: 00-22-321-2000