

► **Scanning Stage SCAN IM 130 x 100** for Zeiss Axio Observer / Axiovert 200

<b>Travel range:</b>	max. 130 x 100 mm
<b>Repeatability:</b>	< 1 µm (bi-directional, measured according to VDI / DGQ 3441)
<b>Accuracy:</b>	+/- 3 µm (measured according to VDI / DGQ 3441)
<b>Resolution:</b>	0,01 µm (smallest step size))
<b>Orthogonality:</b>	< 10 arc sec
<b>Motor:</b>	2-phase stepper motor
<b>Max. travel speed:</b>	120 mm/s, with 2 mm ball screw pitch
<b>Limit switches:</b>	hall sensors
<b>Material:</b>	aluminium
<b>Surface:</b>	anodic coating, black lacquered
<b>Weight:</b>	4.200 g

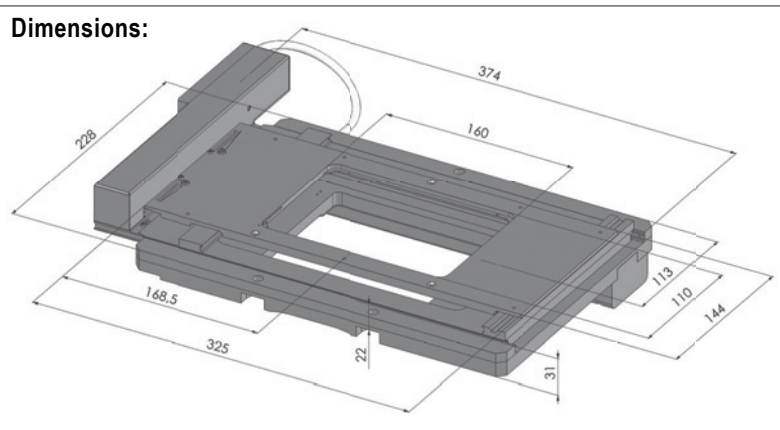
**Order Information**

Order No.: 00-24-549-0000, 2 mm ball screw pitch

**Product Features**

- flat, ergonomic design with rounded corners
- stationary connecting cables between controller and scanning stage
- **5 years guarantee**, if the scanning stage is operated in the system with the Märzhäuser TANGO controller!
- The integrated electronic stage identification device ETS enables automatic identification of the scanning stage as well as the parametrization of the controller.

**Dimensions:**



**Accessories**

Stage insert for 1 slide 76 x 26 mm  
 (included in delivery)  
 Order No.: 00-29-411-8010

For further accessories please visit:  
[www.marzhauser.com](http://www.marzhauser.com)