



▶ **Scanning Stage SCAN 200 x 200** for Upright Microscopes

Travel range:	200 x 200 mm (8" x 8")
Repeatability:	< 1 µm (bi-directional, measured according to VDI / DGQ 3441)
Accuracy:	+/- 3 µm (measured according to VDI / DGQ 3441)
Resolution:	0,01 µm (smallest step size)
Orthogonality:	< 10 arc sec
Motor:	2-phase stepper motor
Max. travel speed:	60 mm/s, with 1 mm ball screw pitch 120 mm/s, with 2 mm ball screw pitch 240 mm/s, with 4 mm ball screw pitch
Limit switches:	hall sensors
Material:	aluminium
Surface:	anodic coating, black laquered
Weight:	8,900 g

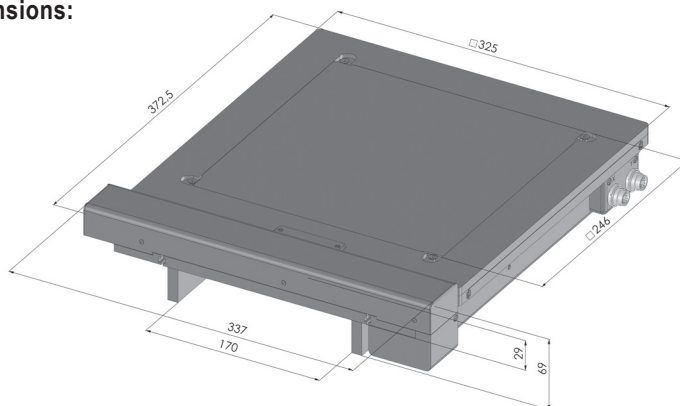
Order Information

Order No.: 00-24-835-0000, 1 mm ball screw pitch
 Order No.: 00-24-836-0000, 2 mm ball screw pitch
 Order No.: 00-24-837-0000, 4 mm ball screw pitch

Product Features

- ▶ flat, ergonomic design with rounded corners
- ▶ L-shaped support stages optional available
- ▶ **5 years guarantee**, if the scanning stage is operated in the system with the Märzhäuser TANGO controller!

Dimensions:



Accessories

Metall plate (included in delivery)
 Order No.: 00-24-801-0011

For further accessories please refer to:
www.marzhauser.com