



Piezo Z-Stage for Märzhäuser Scanning Stages in the SCAN IM Series

Specifications	USB / ANALOG IN ¹
Travel range	300 µm
Resolution	4 nm / 18 nm
Repeatability	4 nm / 18 nm (unidirectional)
Linearity	0,5 % / 2,5 %
Settling time (unloaded/under load)	25 ms
Load ²	max. 500 g
Operation mode	closed-loop operation
Material	aluminium
Weight	1 kg (stage incl. 2 m connecting cable)

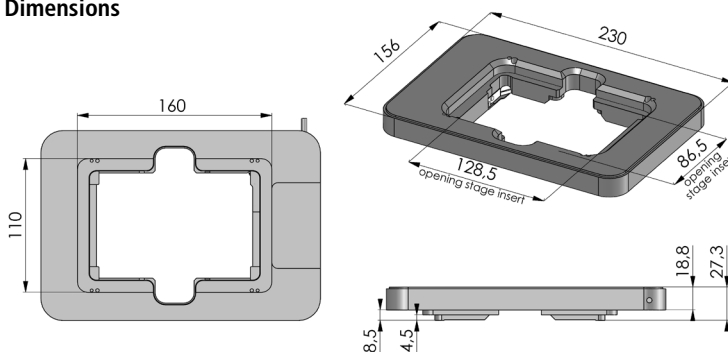
Order Information

Order No.: 00-55-550-0800

Product Features

- ▶ compatible with nearly all Märzhäuser scanning stages in the SCAN IM series
- ▶ direct connection of the piezo amplifier Nano-Drive® C to TANGO controllers with AUX I/O interface
- ▶ comfortable operation of your complete positioning system with an only operating device (e. g. joystick)
- ▶ high-speed piezo Z-motion with travel ranges up to 300 µm
- ▶ direct insertion of well plates without an additional stage insert
- ▶ extra large handle recesses for easy handling of well plates with lid
- ▶ measuring instrument for easy offset calibration included in delivery

Dimensions



Accessories

Universal stage insert
 Order No.: 00-55-500-1020

Stage insert for slides
 Order No.: 00-55-500-1000 (1 slide)
 Order No.: 00-55-500-1030 (2 slides)

Stage insert for 1 Petri dish
 Order No.: 00-55-500-1010

For further accessories for microscopy please visit: www.marzhauser.com